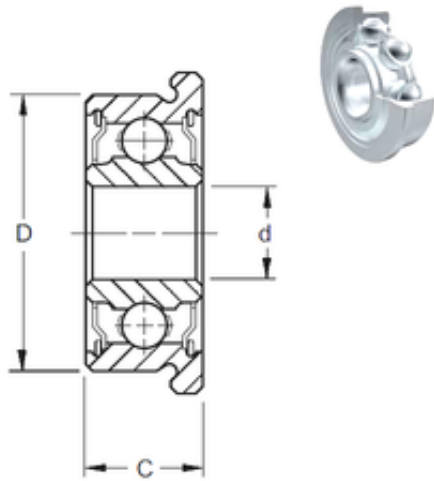




BM Bearing Power Machinery Co., Ltd.



5 mm x 19 mm x 6 mm ZEN SF635-2Z ZEN Bearings

Bearing No. SF635-2Z

Size	5x19x6 mm
Bore Diameter	5 mm
Outer Diameter	19 mm
Width	6 mm
d	5 mm
D	19 mm
B	6 mm
C	6 mm
Basic dynamic load rating (C)	2,336 kN
Basic static load rating (C0)	0,896 kN

SF635-2Z Bearing 2D drawings and 3D CAD models