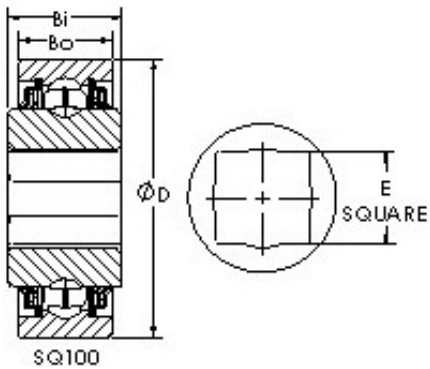




BM Bearing Power Machinery Co., Ltd.



AST SQ108-102X AST Bearings

Bearing No. SQ108-102X

Outer Diameter	80 mm
Bearing Type	Straight OD
Outer Dia (D)	3.1496
Outer Width (Bo)	1.1875
Inner Width (Bi)	1.4370
Square Hole Size (E)	1.18
Shaft Size (ds) - 1-1/8" SQ	11/8" SQ
Weight (g)	753.00

SQ108-102X Bearing 2D drawings and 3D CAD models