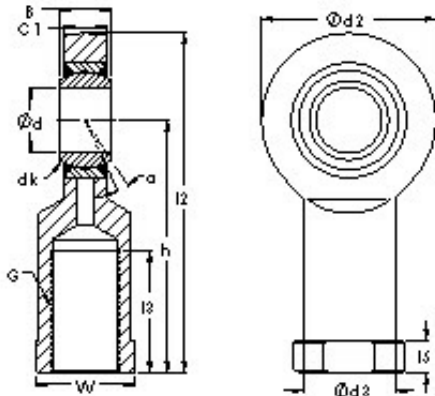




BM Bearing Power Machinery Co., Ltd.



AST SIBP10S AST Bearings

Bearing No. SIBP10S

Bore Diameter	10 mm
Width	14 mm
Bearing Type - steel-on-bronze	steelonbronze
Bore Dia (d)	10.0000
Width (B)	14.0000
Radius (min) (rs)	0.300
Dynamic Load Rating (Cr)	10,000
Static Load Rating (Cor)	11,000
Spherical Diameter (dk or Dk)	19.050
Mis-alignment Angle (a deg.)	14
Thread Length (l1)	21.000
Bore Center to End of Rod (h)	43.000
Rod Overall Length (l2)	56.000
Rod End Thickness (C1)	10.500
Bore Center to Body (l7)	13
Thread Size (G)	M10
Rod End Width (d2)	26.000
Body Dia. (d3)	15.000
Body End Dia. (d4)	19.000
Body End Width (l5)	6.500
Body End Flats (W)	17.000
Weight (g)	72.00
Material - Body - Carbon steel-zinc plated, Ball -	Bronze

SIBP10S Bearing 2D drawings and 3D CAD models



BM Bearing Power Machinery Co., Ltd.

Hardened chrome steel- chrome plated, Liner	
--	--