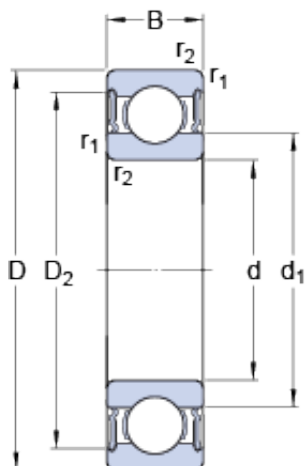




BM Bearing Power Machinery Co., Ltd.



6215-2RS1/HC5C3WT SKF Hybrid Deep Groove Ball Bearings

Bearing No. 6215-2RS1/HC5C3WT

6215-2RS1/HC5C3WT Bearing 2D drawings and 3D CAD models

Size	130x75x25 mm
Bore Diameter	130 mm
Outer Diameter	75 mm
Width	25 mm
d	75 mm
D	130 mm
B	25 mm
d ₁	92.05 mm
D ₂	117 mm
d _a - min.	84 mm
d _a - max.	92 mm
D _a - max.	121 mm
r _a - max.	1.5 mm
Basic dynamic load rating - C	68.9 kN
Basic static load rating - C ₀	49 kN
Fatigue load limit - P _u	2 kN
Limiting speed	3200 r/min
Calculation factor - k _r	0.025
Calculation factor - f ₀	14.7
Category	Single Row Ball Bearings
Inventory	0.0
Manufacturer Name	SKF
Minimum Buy Quantity	N/A
Weight / Kilogram	0



BM Bearing Power Machinery Co., Ltd.

Product Group	B00308
Enclosure	2 Seals
Precision Class	ABEC 1 ISO P0
Maximum Capacity / Filling Slot	No
Rolling Element	Ball Bearing
Snap Ring	No
Internal Special Features	Silicon Nitride Rolling Element Electrical Insulated
Cage Material	Steel
Enclosure Type	Contact Seal
Internal Clearance	C3-Loose
Inch - Metric	Metric
Long Description	75MM Bore; 130MM Outside Diameter; 25MM Outer Race Width; 2 Seals; Ball Bearing; ABEC 1 ISO P0; No Filling Slot; No Snap Ring; Silicon Nitride Rolling Element Electrical Insulated Internal Special
Other Features	Deep Groove NBR Seal Hybrid Silicon Nitride Rolling Element WT Standard Grease
Category	Single Row Ball Bearing
UNSPSC	31171504
Harmonized Tariff Code	8482.10.50.68
Noun	Bearing
Keyword String	Ball
Manufacturer URL	http://www.skf.com
Weight / LBS	2.54
Outer Race Width	0.984 Inch 25 Millimeter
Outside Diameter	5.118 Inch 130 Millimeter
Inner Race Width	0 Inch 0 Millimeter



BM Bearing Power Machinery Co., Ltd.

Bore	2.953 Inch 75 Millimeter
d_1	92.05 mm
D_2	117 mm
$r_{1,2}$ min.	1.5 mm
d_a min.	84 mm
d_a max.	92 mm
D_a max.	121 mm
r_a max.	1.5 mm
Basic dynamic load rating C	68.9 kN
Basic static load rating C_0	49 kN
Fatigue load limit P_u	2.04 kN
Calculation factor k_r	0.025
Calculation factor f_0	14.7
Mass bearing	1.05 kg